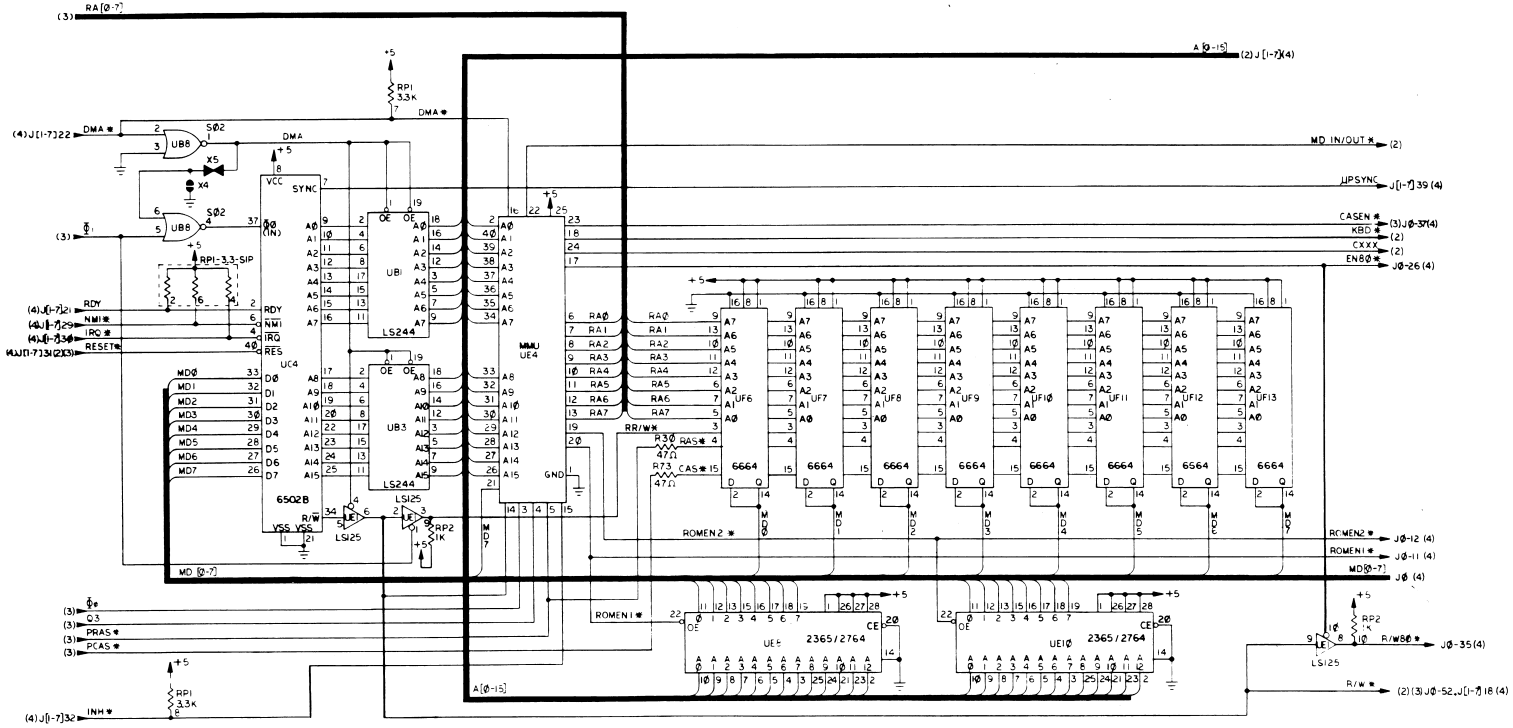


Figure 7-14a Schematic Diagram,
part 1



Expanding the Apple IIe

Figure 7-14b Schematic Diagram, part 2

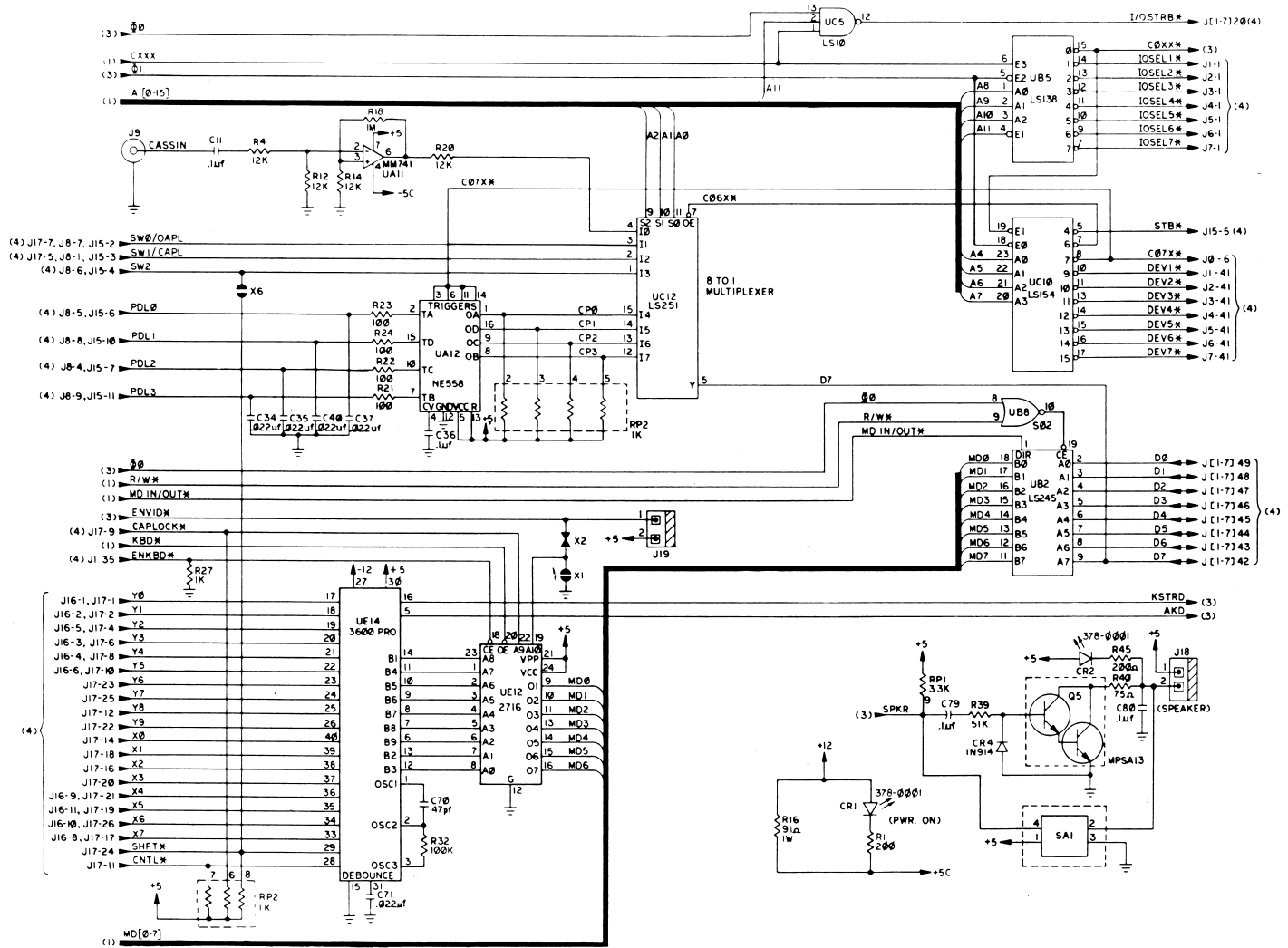


Figure 7-14c Schematic Diagram, part 3

NOTE: UNLESS OTHERWISE SPECIFIED

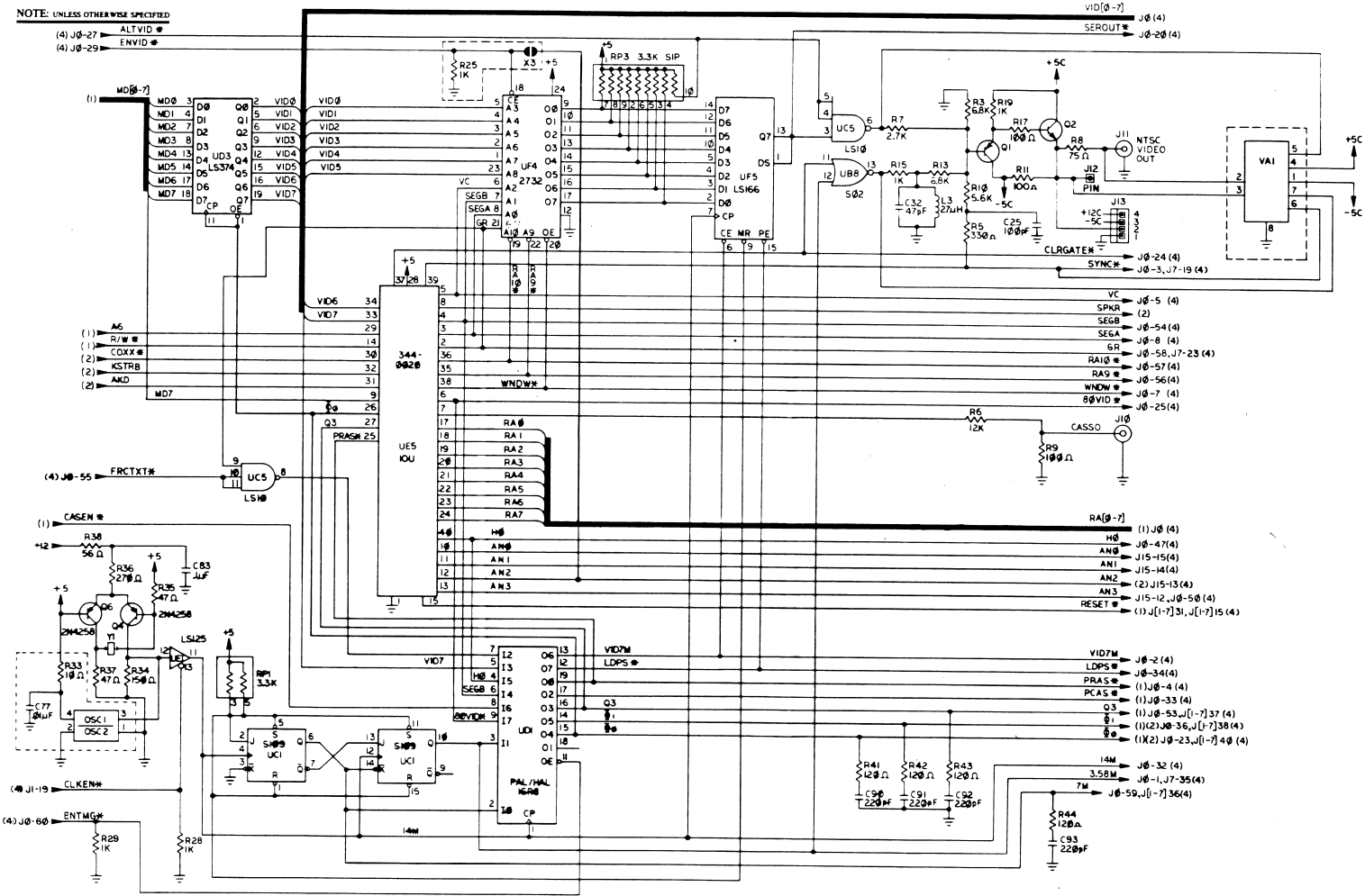
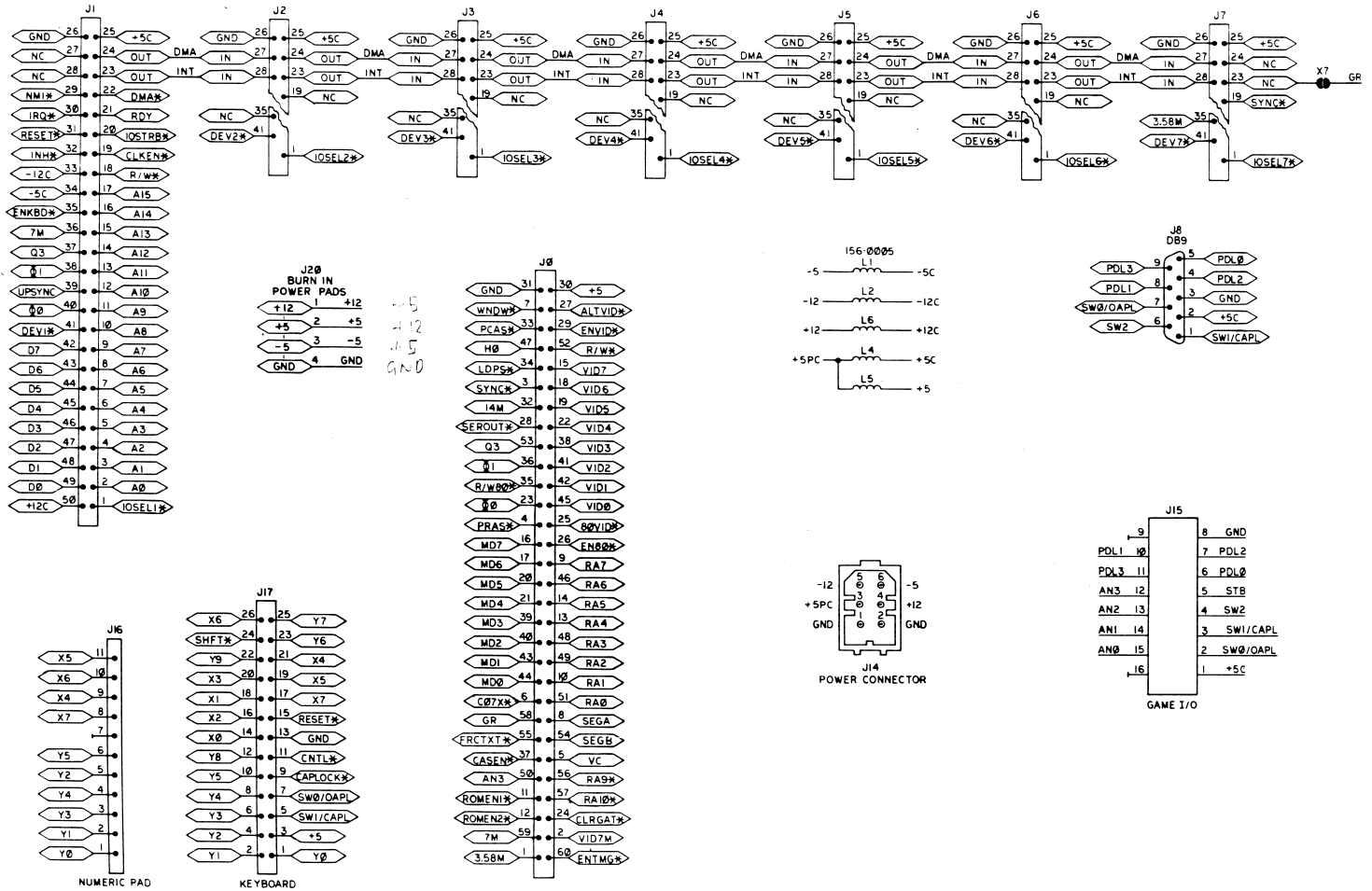
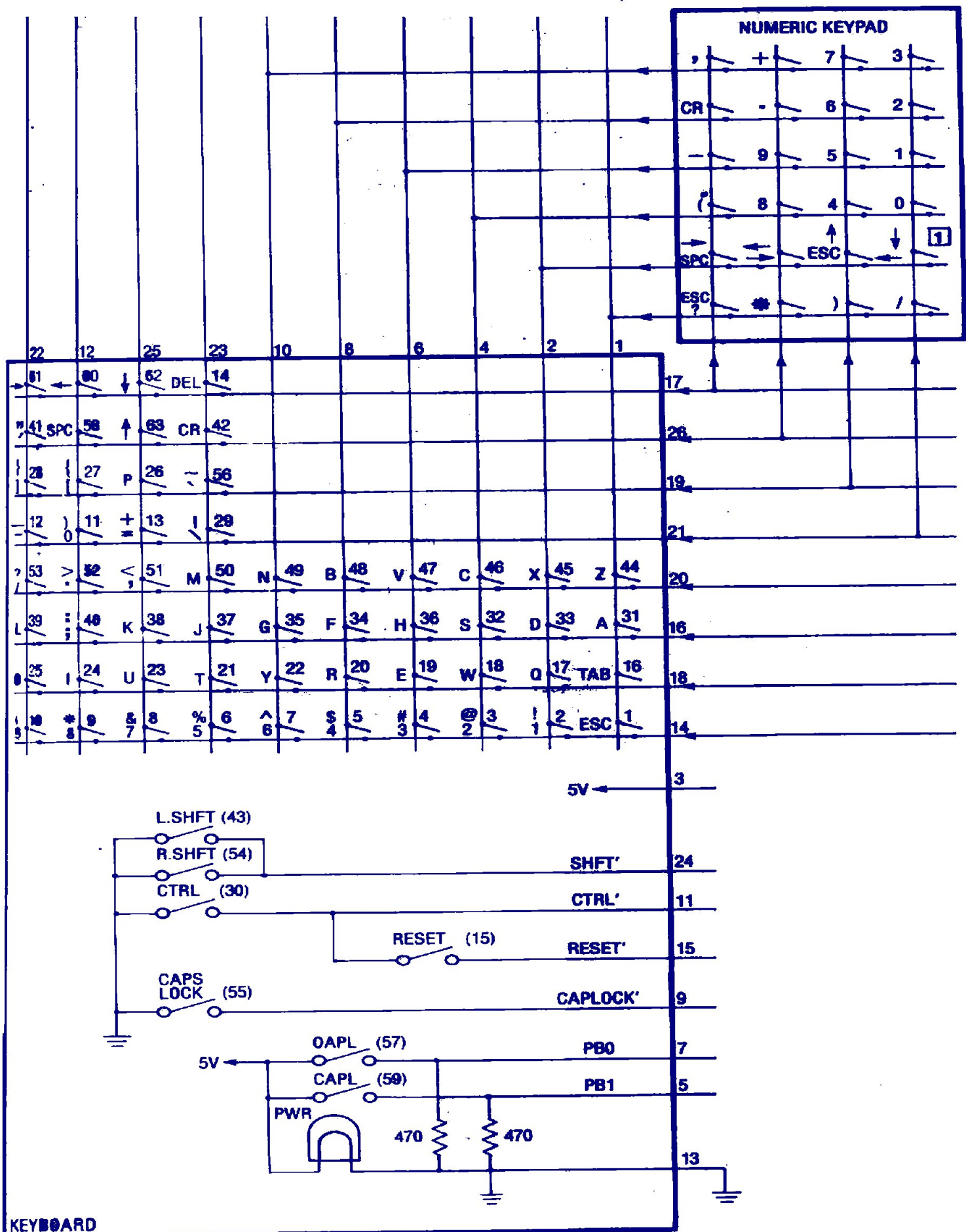


Figure 7-14d Schematic Diagram, part 4





NOTES: [1] SPC, right, ESC, left, ? of 341(2)-0132-B keyboard ROM (early Apple IIe) were replaced by right, left, up, down, ESC in 341(2)-0132-C keyboard ROM (later Apple IIe).